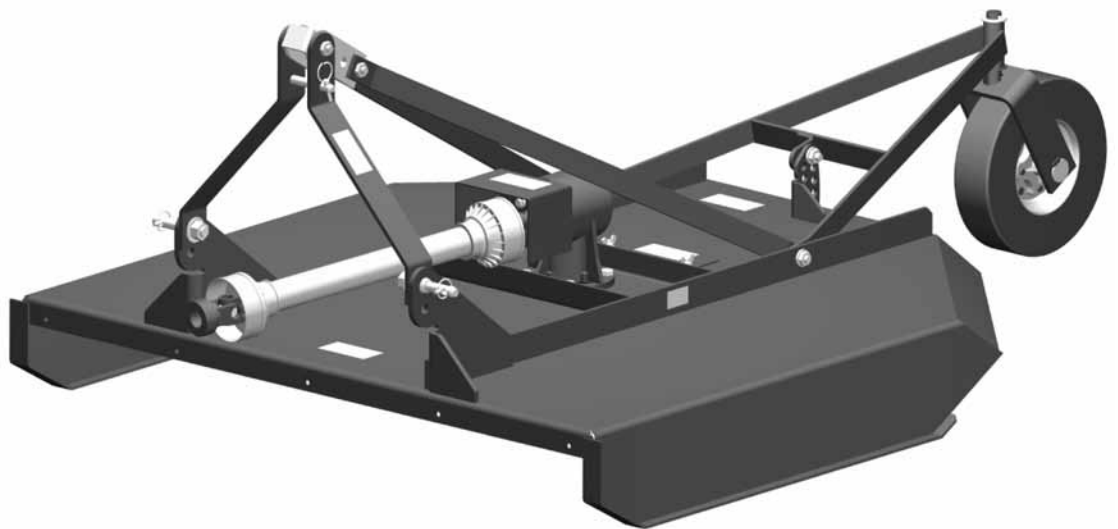


# Farm King

## OPERATOR AND PARTS MANUAL

### Rotary Cutter

Series I





## Table of Contents

|  |           |
|--|-----------|
| <b>Introduction .....</b>              | <b>5</b>  |
| <b>Safety.....</b>                     | <b>6</b>  |
| • Safety Instruction .....             | 6         |
| • General Safety .....                 | 7         |
| • Start-up Safety .....                | 7         |
| • Operation Safety .....               | 7         |
| • Transport Safety .....               | 7         |
| • Service and Maintenance Safety ..... | 8         |
| • Storage Safety .....                 | 8         |
| • Safety Signs .....                   | 8         |
| • Safety Sign Installation .....       | 8         |
| <b>Assembly.....</b>                   | <b>10</b> |
| • Chain Kit Assembly Instructions..... | 11        |
| <b>Operation .....</b>                 | <b>11</b> |
| • Theory of Operations.....            | 12        |
| <b>Maintenance .....</b>               | <b>13</b> |
| • Service .....                        | 13        |
| <b>Bolt Torque .....</b>               | <b>14</b> |
| • Checking Bolt Torque .....           | 14        |
| <b>Part Drawings.....</b>              | <b>16</b> |
| • 4' and 5' Drawing .....              | 16        |
| • 4' and 5' Parts List .....           | 17        |
| • Chain Kit Drawing .....              | 20        |
| • Chain Kit Parts List .....           | 21        |
| • PTO Shaft Drawing .....              | 22        |
| • PTO Shaft Parts List .....           | 23        |
| • Gearbox Drawing - 410.....           | 24        |
| • Gearbox Parts List - 410.....        | 25        |
| • Gearbox Drawing - 510.....           | 26        |
| • Gearbox Parts List - 510.....        | 27        |

**Shipping Kit and Bundle Numbers .....28**

**Warranty .....30**

**Manufacturer’s statement:** for technical reasons Buhler Industries Inc. reserves the right to modify machinery design and specifications provided herein without any preliminary notice. Information provided herein is of descriptive nature. Performance quality may depend on soil fertility, applied agricultural techniques, weather conditions and other factors.

## Introduction

---

The Farm King Series 1 Rotary cutter available in 48" and 60" and is equipped with a 3-point hitch. The 3-point hitch is Farm King Quick Hitch compatible so it is easy to attach and unhook. 3-point hitch models include a single solid rubber training wheel.

Farm King Rotary Cutters are built tough and made to last. The blades are heat-treated to enhance rigidity and the heavy-duty gearbox is designed to be rugged and durable. The access panel on the deck makes it easy to inspect or replace the blades. An optional chain kit minimizes the possibility of flying debris.

Keep this manual handy for frequent reference. All new operators or owners must review the manual before using the equipment and at least annually thereafter. Contact your Farm King Dealer if you need assistance, information, or additional copies of the manual. Visit our website at [www.buhlerindustries.com](http://www.buhlerindustries.com) for a complete list of dealers in your area.

The directions left, right, front and rear, as mentioned throughout this manual, are as seen facing in the direction of travel of the implement.

## Safety

---

### Safety Instructions

Remember, YOU are the key to safety. Good safety practices not only protect you, but also the people around you. Make these practices a working part of your safety program. Be certain that everyone operating this equipment is familiar with the recommended operating and maintenance procedures and follows all the safety precautions. Most accidents can be prevented. Do not risk injury or death by ignoring good safety practices.

The alert symbol is used throughout this manual. It indicates attention is required and identifies hazards. Follow the recommended precautions.



The safety alert symbol means...

**ATTENTION! BECOME ALERT! YOUR SAFETY IS INVOLVED!**



#### CAUTION

The caution symbol indicates a potentially hazardous situation that, if not avoided, may result in minor or moderate injury. It may also be used to alert against unsafe practices.



#### WARNING

The Warning Symbol indicates a potentially hazardous situation that, if not avoided, could result in death or serious injury, and includes hazards that are exposed when guards are removed. It may also be used to alert against unsafe practices.



#### DANGER

The Danger Symbol indicates an imminently hazardous situation that, if not avoided will result in death or serious injury. This signal word is to be limited to the most extreme situations, typically for machine components that, for functional purposes, cannot be guarded.

## General Safety Instructions

- Have a first-aid kit available for use and know how to use it.
- Have a fire extinguisher available, stored in a highly visible location, and know how to use it.
- Wear appropriate protective gear. This list may include but is not limited to:
  - hard hat
  - protective shoes with slip resistant soles
  - protective glasses or goggles
  - heavy gloves
  - wet weather gear
  - hearing protection
  - respirator or filter mask
- Read and understand the Operator's Manual and all safety signs before operating, servicing, adjusting, repairing, or unplugging the equipment.
- Do not attempt any unauthorized modifications to your Farm King product as this could affect function or safety, and could affect the life of the equipment.
- Never start or operate the mower except from the operator's station on the power unit.
- Inspect and clean the working area before operating.
- Keep hands, feet, clothing, and hair away from moving parts.
- Ensure bystanders are clear of the area before operating.

## Start-up Safety

- Do not let inexperienced operators or children run this equipment.
- Place all tractor and machine controls in neutral before starting.
- Operate only with ROPS and seatbelt equipped tractors.
- Do not operate inside a building unless there is adequate ventilation.
- Ensure all shields are in place and in good condition before operating.
- Stay clear of PTO shaft and machine when engaging PTO.

## Operation Safety

- Do not permit riders.
- Do not wear loose fitting clothing during operation.
- Never operate over 540 PTO rpm speed.
- Never operate the equipment in the raised position.

## Transport Safety

- Review Transport Safety instructions in tractor manual before moving.
- Check with local authorities regarding transport on public roads. Obey all applicable laws and regulations.
- Do not tow equipment that does not have brakes at speeds over 20 mph (32 km/h).
- Do not tow equipment that does not have brakes that, when fully loaded, has a mass (weight) over 3300 lb. (1.5 t) and more than 1.5 times the mass (weight) of the towing unit.
- Make sure the SMV (Slow Moving Vehicle) emblem and all the lights and reflectors that are required by the local highway and transport authorities are in place, are clean, and can be seen clearly by all overtaking and oncoming traffic.

- Never have the equipment in operation during transport.
- Always travel at a safe speed.

## Service and Maintenance Safety

- Stop engine, set brake, remove ignition key, and wait for all moving parts to stop before servicing, adjusting, repairing, or unplugging.
- Support the equipment with blocks or safety stands before working beneath it.
- Follow good shop practices including:
  - keep service area clean and dry
  - be sure electrical outlets and tools are properly grounded
  - use adequate light for the job.
- Replace and secure all shields removed during servicing before operating.
- Use heavy leather gloves to handle sharp objects.
- Check hydraulics regularly for leaks. Use cardboard to look for leaks, and use hand and eye protection.
- Relieve pressure on hydraulic system before repairing or adjusting.

## Storage Safety

- Store the unit in an area away from human activity.
- Do not permit children to play on or around the stored machine.
- Support the frame on stands and blocks to provide a secure base.

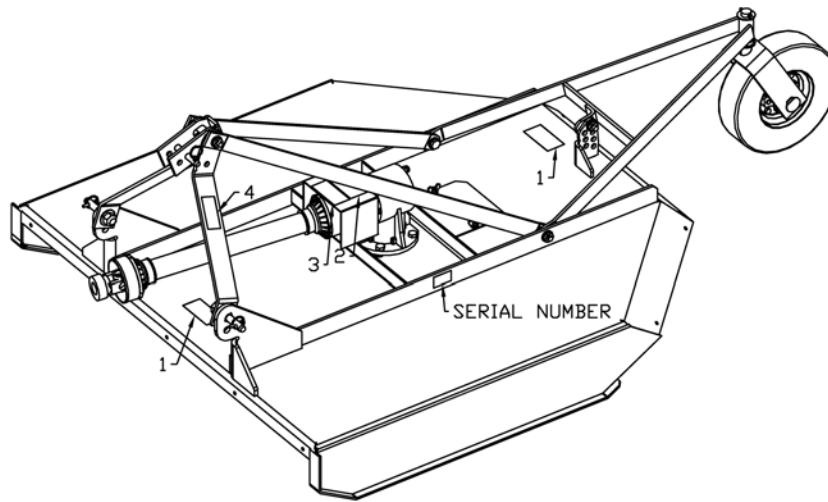
## Safety Signs

- The following illustration shows the approximate location and detail of safety signs.
- Keep all safety signs clean and legible and replace any that are damaged or missing.
- When original parts are replaced, any safety signs affixed to those parts should be replaced as well. Replacement safety signs are available from your local dealer.

## Installation

- To install safety signs, ensure the installation area is clean and dry. Decide on the exact position before you remove the backing paper. Remove the smallest portion of the split backing paper and align over the specified area. Carefully press in place.
- Slowly peel back the remaining paper and smooth the remaining portion in place. Small air pockets can be pierced with a pin and smoothed out.
- Replace safety sign immediately should it become damaged, torn or illegible. Obtain replacements from your authorized dealer using the part numbers shown.





RC-03

**⚠ DANGER**

1. Avoid bodily injury:  
Object may be thrown great distances by cutting blade rotating under deck.
2. Stay clear and watch out for bystanders.  
Keep all shields in place.  
Use extra protective shields (optional) on all discharge openings at front and rear of deck whenever possible.
3. Before working on mower:  
Disengage power, shut off engine, and make sure blade has stopped turning.

966001

**⚠ WARNING**

**CHECK PTO SHAFT LENGTH BEFORE RAISING OR LOWERING IMPLEMENT. SHAFT MUST NOT BOTTOM OR SEPERATE (SEE MANUAL)**

108431

**⚠ WARNING**

**To avoid bodily injury:  
Keep all power drive system safety shields in place.  
Operate only with 540 RPM PTO.**

966003

**⚠ WARNING**

**Components behind guards or access doors in this area rotate; possibly several minutes after power is shut off.**

**To avoid bodily injury:**

1. Look and listen for evidence of rotation.
2. Do not open or remove guards or access door until all components have stopped.

966002

## Assembly Instructions

---

1. Raise the hitch arms (#4) and the hitch supports (#5) from the deck. Remove the bolt holding on the top link (#6). Line up the end holes on the hitch supports with the holes on the outside of the hitch arms where you just removed the bolt. Bolt the hitch arms, hitch supports and top link together with the bolt you just removed using two flat washers and a lock nut.
2. Connect the PTO shaft to the gearbox. A snap ring holds on the PTO shaft with a shear pin. Make sure the PTO guard (#3) is bolted in place.
3. Re-check all the fasteners. There should be free movement of all pieces held together by a bolt and lock nut.

## Chain Kit Assembly Instructions

All cutters have the required holes for mounting the chain kit. The use of this chain kit will help reduce the possibility of injury to persons or property by stopping many thrown objects.

1. Bolt the front chain holder (#1) to the front of the cutter using 3/8" x 1" hex bolts, lock washers, flat washers and hex nuts.
2. Use 1/4" x 5 link chains (#8) at the front. A chain is pushed through each slot from underneath and a 3/8" rod is threaded through the top link of each chain. Hold rods in place using the cotter pins supplied. See parts list for correct length of rods.
3. Bolt the rear center (#3) and rear side (#4 & #5) chain holders to the rear of the cutter. Use 1/4" x 5 link chains (#8) along all rear edges. Thread rods as in front using lengths as shown in parts list.

## Operation Instructions

---

1. Connecting to Tractor: All cutters are supplied with a standard 1 3/8" 6-spline yoke on the PTO shaft.



### WARNING

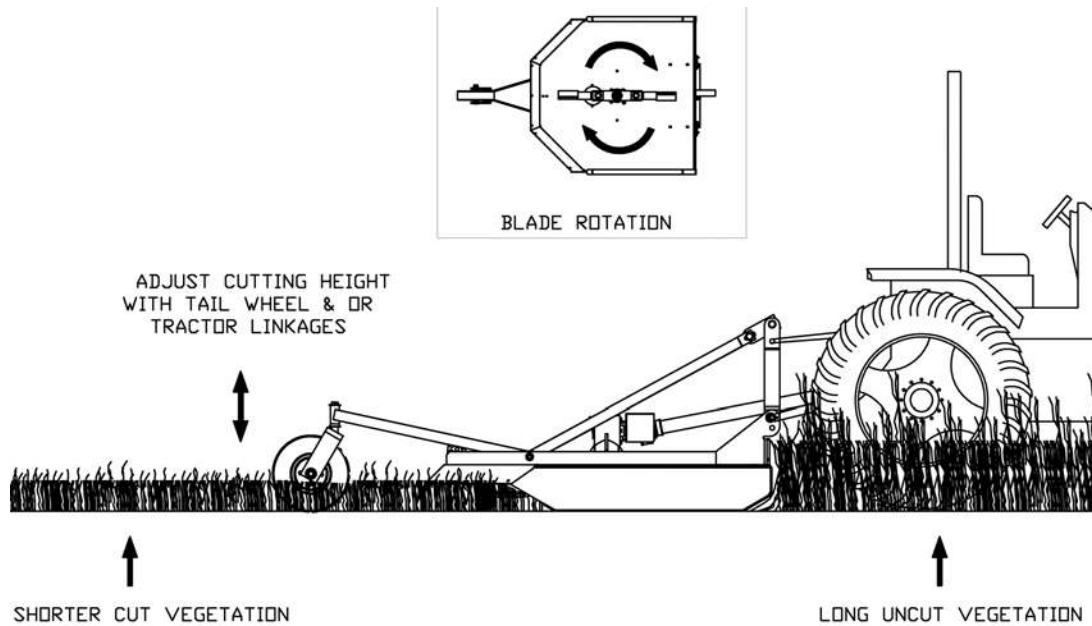
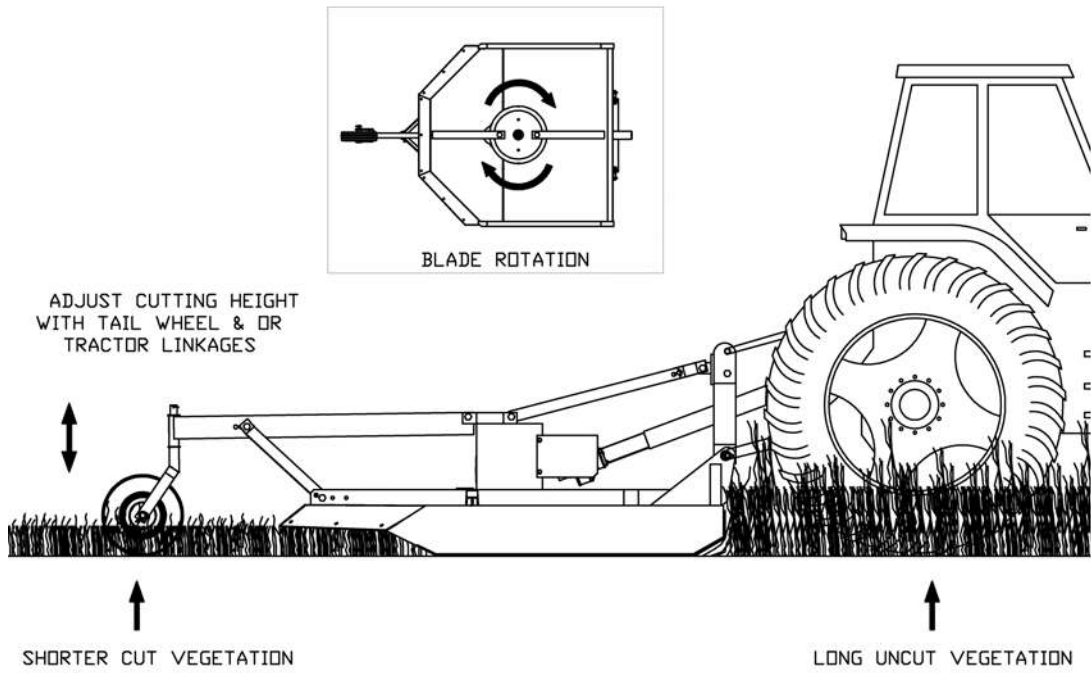
This cutter is designed to operate only with a 540 rpm PTO. After connecting cutter to tractor and before doing any cutting, check to see that the PTO shaft is not touching anywhere on the cutter when raising and lowering or when cornering.

2. PTO Shafts: Make sure the length of the PTO shaft is compatible with different working positions of the cutter. Carefully follow the lubrication chart supplied with the PTO shaft. When cutting, avoid joint angles over 35°. PTO shafts should be disengaged when turning sharp corners. Using tape or a bright colored marking pen, mark on the outer shields the position where the shaft is completely pushed together and the position where you have a 4" overlap. Watch these marks when moving the cutter through all possible operating angles to see that the PTO shaft stays within this range.

PTO Shafts with Shear Pin: Loosen the outer shield on the implement end of the PTO and push the gearbox shaft through the end yoke. Using snap ring pliers, put the snap ring on the end of the gearbox shaft. This is what keeps the PTO shaft on if the shear pin breaks and the cutter should not be used without it. Insert a 1/2" x 3-1/2" Grade 2 bolt with a lock nut to act as shear pin and replace all shields.

3. Operating Tractor Engine: Operate the tractor PTO at 540 rpm when doing normal cutting. If the forward speed is too high, a lower gear can be used.
4. Cutting: The cutter should be run with the front end a little low or just level for normal light cutting. For brush or dense tall weeds, running front end high may give a better shredding job. On rough ground, the front end will also tend to dig in less. The cutter can also be used to shred stubble or top vegetables prior to harvest.

Theory of Operations

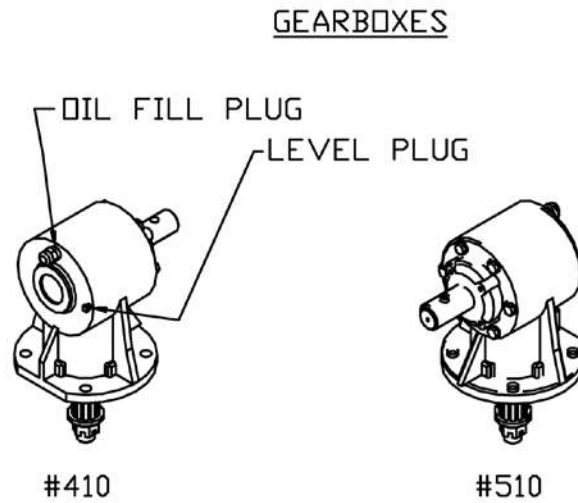


## Maintenance

---

### Service

1. Gearbox: The gearbox should be filled with SAE90 oil to the bottom edge of the lower oil plug when shipped. Check this before using the cutter and at regular intervals to see that this oil level is maintained.



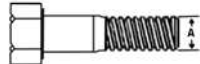



RC-04

2. Grease wheels, tail wheel spindle sleeve, universal joints and shield bushings on the PTO shaft after every eight hours of use. Lubricate the telescoping PTO tube and the PTO quick release about every twenty hours of use.
3. Shielding: Always keep all shielding in place and repair or replace if damaged.
4. Blades: When replacing or grinding the cutting blades, both blades must be replaced or reground at the same time to maintain the proper balance in the cutting unit. **NOTE:** Use Farm King replacement blades only. Using substitute blades may be dangerous. When changing blades, open the access door on the deck and take the screws out of the blade pin clips. The clips are then pulled out and the blade should fall down. Replacing the new or sharpened blades is done with the back of the mower raised and securely blocked so it will not fall. Bolt on the blade pin clips and close the access door.

## Bolt Torque

### Checking Bolt Torque

The tables shown below give correct torque values for various bolts and hex bolts. Tighten all bolts to the torques specified in chart unless otherwise noted. Check tightness of bolts periodically, using bolt torque chart as a guide. Replace hardware with the same strength bolt.

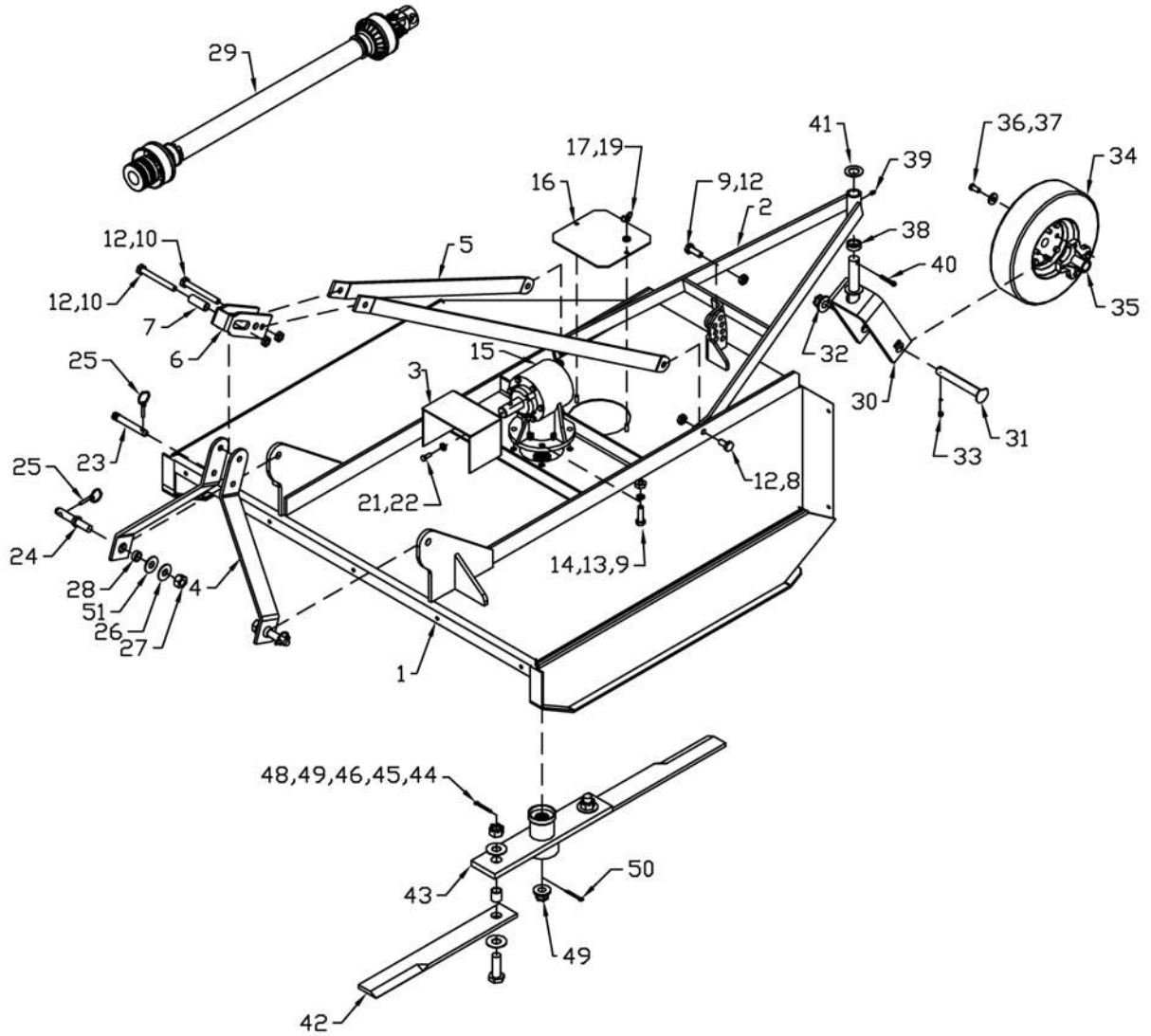
| Bolt Torque*  |   |       |  |       |   |       |
|---|---|-------|--|-------|---|-------|
|  |  |       |  |       |  |       |
| Bolt Diameter   | Grade 2 Bolts   |       | Grade 5 Bolts  |       | Grade 8 Bolts   |       |
| (inches)  | SAE 2   |       | SAE 5  |       | SAE 8   |       |
| "A"   | (lb-ft)   | (N.m) | (lb-ft)  | (N.m) | (lb-ft)   | (N.m) |
| 0.25 (1/4)  | 6   | 8     | 9  | 12    | 12  | 17    |
| 0.313 (5/16)  | 10  | 13    | 19   | 25    | 27  | 36    |
| 0.375 (3/8)   | 20  | 27    | 33   | 45    | 45  | 63    |
| 0.438 (7/16)  | 30  | 42    | 53   | 72    | 75  | 100   |
| 0.5 (1/2)   | 45  | 61    | 80   | 110   | 115   | 155   |
| 0.563 (9/16)  | 70  | 95    | 115  | 155   | 165   | 220   |
| 0.625 (5/8)   | 95  | 128   | 160  | 215   | 220   | 305   |
| .75 (3/4)   | 165   | 225   | 290  | 390   | 400   | 540   |
| 0.875 (7/8)   | 170   | 230   | 420  | 570   | 650   | 880   |
| 1   | 225   | 345   | 630  | 850   | 970   | 1320  |

Torque figures indicated above are valid for non-greased or non-oiled threads and heads unless otherwise specified. Therefore, do not grease or oil bolts or hex bolts unless otherwise specified in this manual. When using locking elements, increase torque values by 5%.

\* Torque value for bolts and hex bolts are identified by their head markings.



4' and 5' Drawing



RC-01



## When Ordering Parts

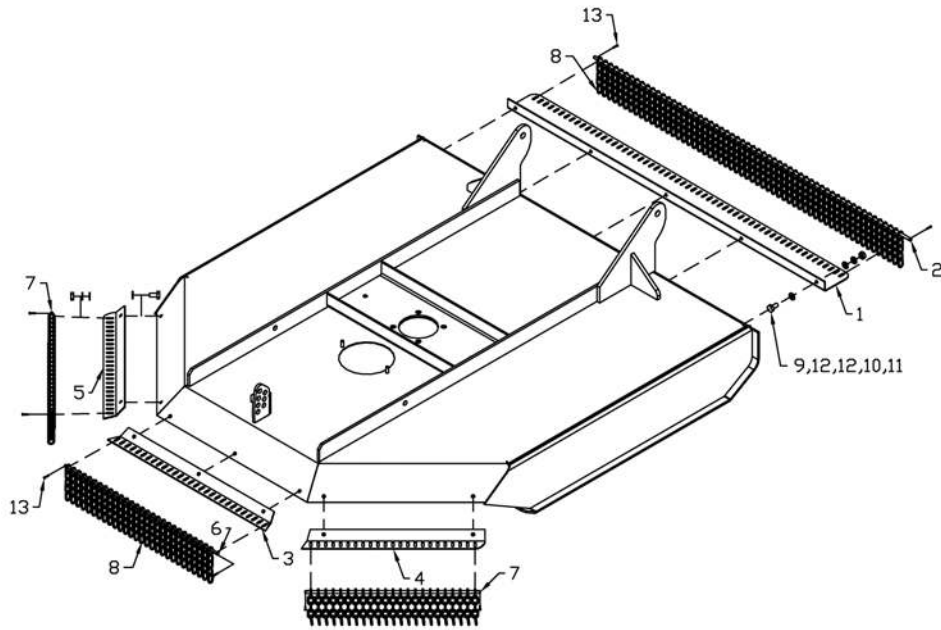
Always give your dealer the Model, Color and Serial Number of your machine to assist him in ordering and obtaining the correct parts. Use the exploded view and tabular listing of the area of interest to exactly identify the required part.

| Item | Part Number | Description                               |
|------|-------------|---|
| 1    | 25312       | Deck Weldment - 4'                        |
|      | 25311       | Deck Weldment - 5'                        |
|      | 25315       | Tail Wheel Bracket Weldment - 4' & 5'     |
| 3    | 117213      | PTO Guard - 4' & 5'                       |
| 4    | 116783      | Hitch Arm 4' & 5'                         |
| 5    | 116831      | Hitch Support 4'                          |
|      | 116794      | Hitch Support 5'                          |
| 6    | 116784      | Top Link 4' & 5'                          |
| 7    | 116777      | Hitch Spacer 4' & 5'                      |
| 8    | 84299       | 5/8" x 2" Hex Bolt                        |
| 9    | 84270       | 5/8" x 1-3/4" Hex Bolt                    |
| 10   | 81672       | 5/8" x 4-1/2" Hex Bolt                    |
| 12   | 812482      | 5/8" Lock Nut                             |
| 13   | 81677       | 5/8" Lock Washer                          |
| 14   | 81676       | 5/8" Hex Nut                              |
| 15   | 814425      | Gearbox Assembly (Shear Pin) 4'           |
|      | 966108      | Gearbox Assembly (Shear Pin) 5'           |
| 16   | 966534      | Access Door                               |
| 17   | 84217       | 3/8" Wing Nut                             |
| 19   | 81593       | 3/8" Lock Washer                          |
| 21   | 81569       | 5/16" Lock Washer                         |
| 22   | 81549       | 5/16" x 3/4" Hex Bolt                     |
| 23   | 965807      | Top Link Pin (Category 1)                 |
| 24   | 965809      | Lift Arm Pin w/ Nut & Washer (Category 1) |
| 25   | 965911      | 7/16" Linch Pin                           |
| 26   | 81723       | 7/8" Lock Washer                          |
| 27   | 81722       | 7/8" Hex Nut                              |
| 28   | 906416      | Hitch Bushing (1-1/4" OD x 1" ID x 7/16") |
| 29   | F0879       | PTO Shaft (Shear Pin) 4' & 5'             |
| 30   | 909767      | Wheel Yoke                                |
| 31   | 909768      | M24 x 2 x 186 Spindle Bolt                |
| 32   | 909769      | M24 x 2 Spindle Nut                       |
| 33   | 909770      | Spindle Cotter Pin                        |
| 34   | 909771      | 15" Wheel w/ Rim                          |
| 35   | 909772      | 4 Bolt Hub w/ Bushing                     |
| 36   | 909773      | M12 x 1.75 x 25 Hex Bolt                  |

| Item | Part Number | Description                         |
|------|-------------|-------------------------------------|
| 37   | 909774      | Lug Bolt Flat Washer                |
| 38   | 116786      | Spacer 1-1/4" ID x 1-3/4" OD x 1/2" |
| 39   | 84583       | 1/8" Drive in Grease Fitting        |
| 40   | 81210       | 1/4" x 2" Cotter Pin                |
| 41   | 967110      | 1-1/4" ID x 14 Ga Narrow Rim Washer |
| 42   | 814511      | Blade (18") - 4' (standard)         |
|      | 966519      | Blade (24") - 5' (standard)         |
| 43   | 116901      | Blade Bar Weldment - 4' & 5'        |
| 44   | 81249       | 3/16" x 2-1/2" Cotter Pin           |
| 45   | 814526      | 1" Slotted Hex Nut                  |
| 46   | 116829      | Blade Spacer 4' & 5'                |
| 47   | 814527      | 1.06 ID x 2.50 OD Flat Washer       |
| 48   | 116834      | 1" x 3-1/4" Hex Bolt                |
| 49   | 909786      | 1" Slotted Hex Nut - 4'             |
|      | 967217      | 1" Slotted Hex Nut - 5'             |
| 50   | 909785      | 5 x 45 Cotter Pin - 4'              |
|      | 966562      | 85mm x 50mm Cotter Pin - 5'         |
| 51   | 81972       | 7/8" Flat Washer                    |



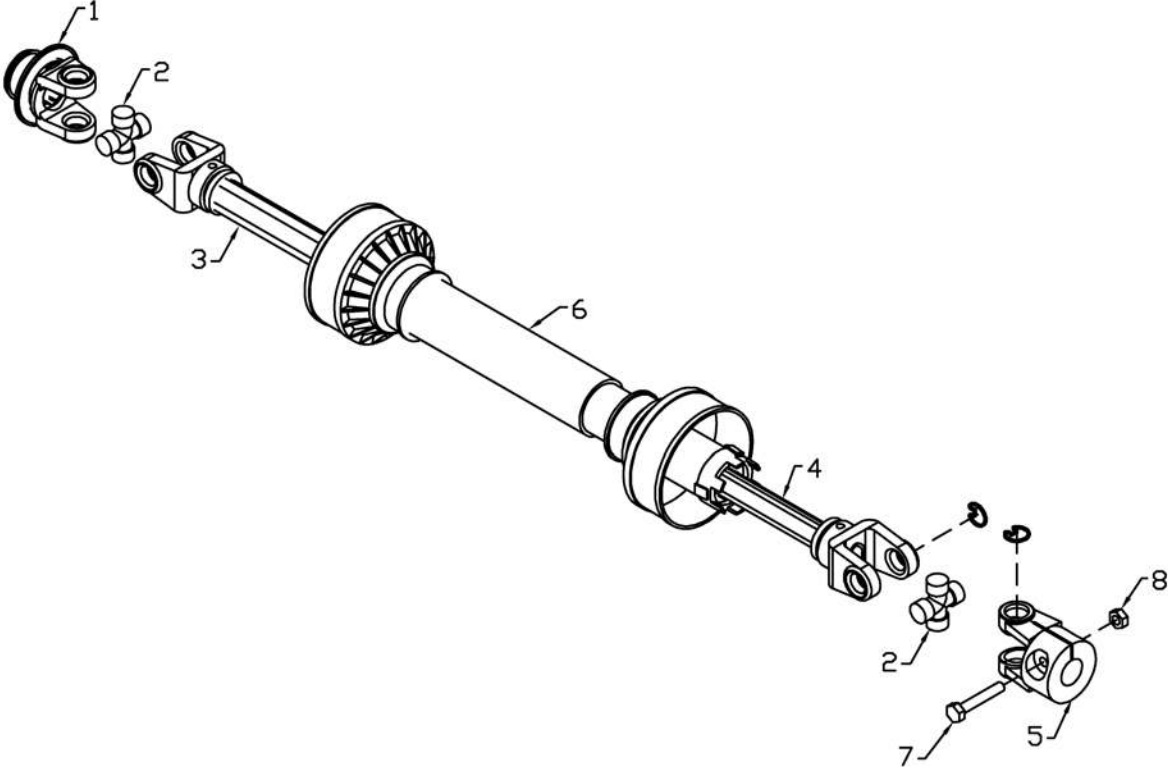
Chain Kit Drawing



RC-02

| Item | Part Number | Description                                   |
|------|-------------|---|
| 1    | 25331       | Front Chain Holder, 4' (48" Long)             |
|      | 25313       | Front Chain Holder, 5' (60" Long)             |
| 2    | 116888      | Front Chain Rod, 4' (3/8" x 48")              |
|      | 116795      | Front Chain Rod, 5' (3/8" x 60")              |
| 3    | 117021      | Rear Center Chain Holder, 4' (24.23" Long)    |
|      | 117024      | Rear Center Chain Holder, 5' (29.86" Long)    |
| 4    | 117023      | R.H. Rear Side Chain Holder, 4' (19.93" Long) |
|      | 117026      | R.H. Rear Side Chain Holder, 5' (24.55" Long) |
| 5    | 117022      | L.H. Rear Side Chain Holder, 4' (19.93" Long) |
|      | 117025      | L.H. Rear Side Chain Holder, 5' (24.55" Long) |
| 6    | 116793      | Rear Center Chain Rod, 4' (3/8" x 23-1/2")    |
|      | 116792      | Rear Center Chain Rod, 5' (3/8" x 29")        |
| 7    | 119889      | Rear Side Chain Rods, 4' (3/8" x 19-1/2")     |
|      | 116793      | Rear Side Chain Rods, 5' (3/8" x 23-1/2")     |
| 8    | 966596      | 1/4" x 5 Link Plated Chain                    |
| 9    | 86170       | 3/8" x 1" Hex Bolt                            |
| 10   | 81593       | 3/8" Lock Washer                              |
| 11   | 813507      | 3/8" Hex Nut                                  |
| 12   | 81570       | 3/8" Flat Washer                              |
| 13   | 9812430     | 1/8" x 1" Cotter Pin                          |

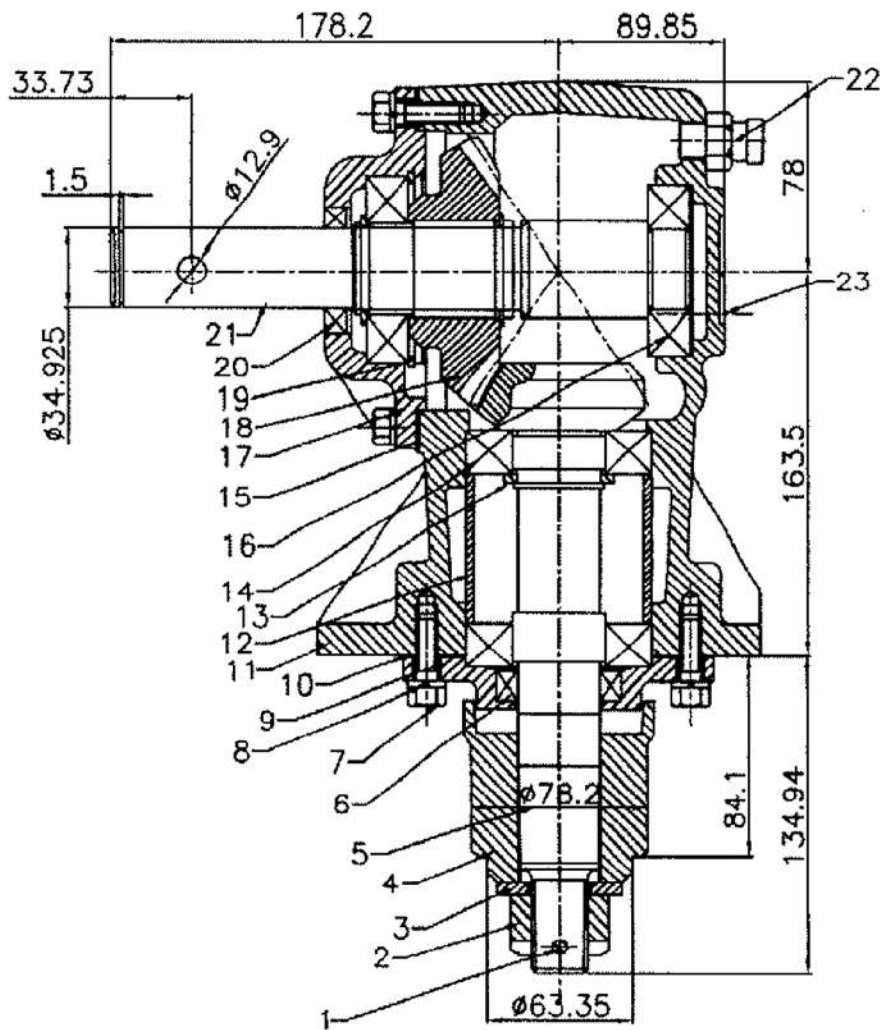
PTO Shaft Drawing



RC-07

| Item | Part Number | Description                             |
|------|-------------|---|
|      | F0879       | Shaft Complete                          |
| 1    | 907186      | Quick Disconnect Yoke (6 Spline) 540rpm |
| 2    | 966211      | Repair Kit                              |
| 3    | 936344      | Outer Tube W/Yoke                       |
| 4    | 936345      | Inner Tube W/Yoke                       |
| 5    | 966216      | Shear Yoke                              |
| 6    | 909766      | Shield Kit                              |
| 7    | 9812034     | Shear Bolt 1/2" x 3-1/2" Gr 2           |
| 8    | 812364      | Nutlk (Steel) 1/2" Grb (pl)             |

Gearbox Drawing - 410

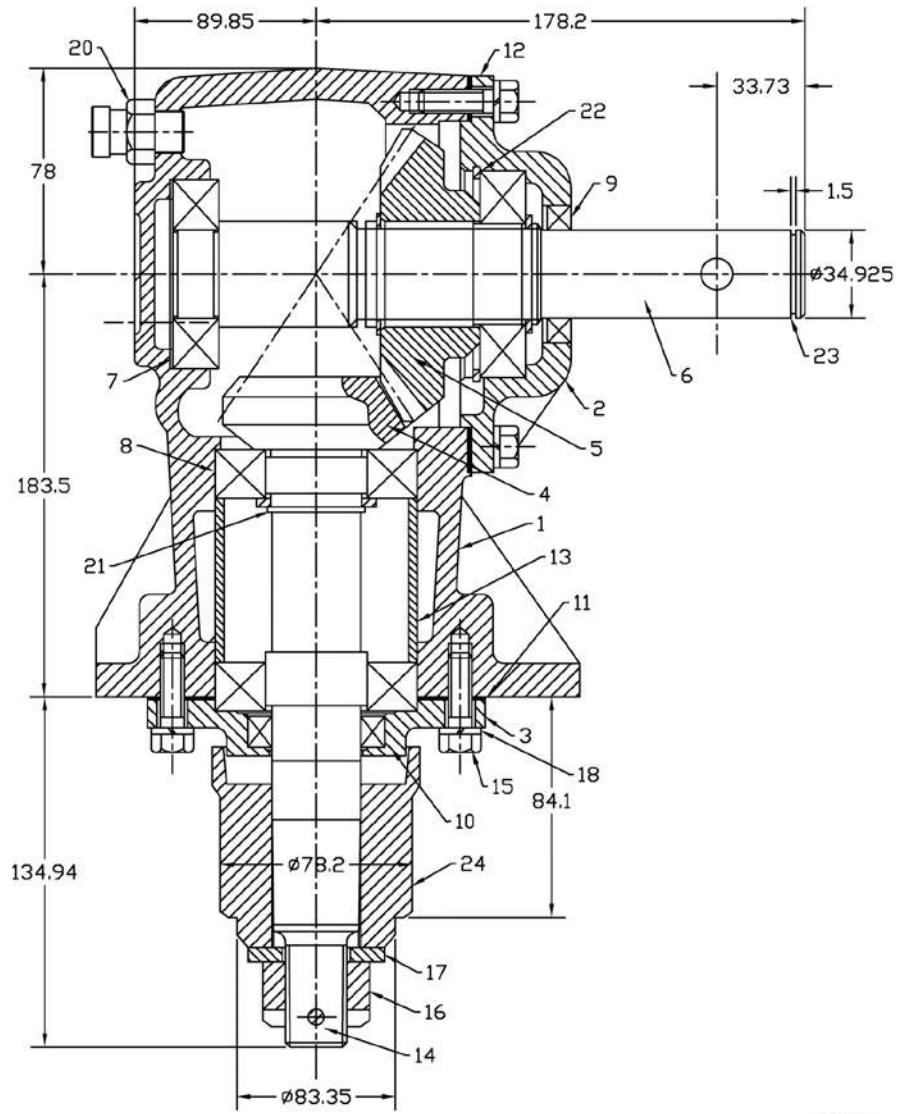


RC-05



| Item | Part Number | Description                   |
|------|-------------|-------------------------------|
|      | 814425      | Gearbox Assembly              |
| 1    | 909785      | Cotter Pin 5 x 45             |
| 2    | 909786      | Blade Nut                     |
| 3    | 909787      | Washer - Blade Hub            |
| 4    | 909788      | Blade Hub                     |
| 5    | 909789      | Shaft - Output                |
| 6    | 909790      | Oil Seal 1.56 x 2.215 x 0.375 |
| 7    | 909791      | Bolt - Output Cap             |
| 8    | 909792      | Spring Washer                 |
| 9    | 909793      | Output Cap                    |
| 10   | 909794      | Gasket - Output Cap           |
| 11   | 909795      | Housing                       |
| 12   | 909796      | Spacer - Bearing              |
| 13   | 909797      | Retaining Ring - Output Shaft |
| 14   | 909798      | Bearing 6208                  |
| 15   | 909799      | Gasket - Input Cap            |
| 16   | 909800      | Bearing 6207                  |
| 17   | 909801      | Input Cap                     |
| 18   | 909802      | Input Gear                    |
| 19   | 909803      | Retaining Ring - Input Shaft  |
| 20   | 909804      | Oil Seal 1.35 x 2.215 x 0.375 |
| 21   | 909805      | Input Shaft                   |
| 22   | 909806      | Vent Plug                     |
| 23   | 909807      | Pipe Plug 1/8"                |

Gearbox Drawing - 510



RC-06

| Item | Part Number | Description                |
|------|-------------|----------------------------|
|      | 966108      | Gearbox Assembly           |
| 1    | 914018      | Housing                    |
| 2    | 914006      | Cap - Input                |
| 3    | 914015      | Cap - Output               |
| 4    | 904022      | Gear - Output, w/Shaft 15T |
| 5    | 904021      | Gear - Input 22T           |
| 6    | 966824      | Shaft - Input 1-3/8"       |
| 7    | 966542      | Bearing - Ball 207K        |
| 8    | 966555      | Bearing - Ball 208K        |
| 9    | 914005      | Seal - Input 3LIP          |
| 10   | 914013      | Seal - Output 3LIP         |
| 11   | 914019      | Gasket - Output Cap        |
| 12   | 914007      | Gasket - Input Cap         |
| 13   | 914001      | Spacer                     |
| 14   | 966562      | Cotter Pin 5 x 50          |
| 15   | 86171       | 3/8" x 1-1/4" Hex Bolt     |
| 16   | 967217      | 1" Slotted Hex Nut         |
| 17   | 904028      | Washer - Blade Hub 1"      |
| 18   | 81593       | 3/8" Lockwasher            |
| 19   | 914016      | 1/8" Sq Head Pipe Plug     |
| 20   | 905429      | 1/2" Vent Plug             |
| 21   | 914008      | Retaining Ring Eaton 916R  |
| 22   | 914003      | Retaining Ring             |
| 23   | 966545      | Snap Ring                  |
| 24   | 904023      | Blade Hub                  |

## Shipping Kit and Bundle Numbers

The following is a list of Kit Numbers for this product and the Bundle Numbers, Descriptions, and Quantities for each Kit.

| Quantity | Bundle Number | Description |
|----------|---------------|-------------|
|----------|---------------|-------------|

|   |       |               |
|---|-------|---------------|
| Y410LS - Model 410 Series 1 Rotary Cutter (3-point) |       |               |
| 1   | F0869 | Deck Assembly |

|   |       |               |
|---|-------|---------------|
| Y510LS - Model 510 Series 1 Rotary Cutter (3-point) |       |               |
| 1   | F0870 | Deck Assembly |

### Optional Bundle Numbers

The following is a list of options available for the Kits listed above.

| Quantity | Bundle Number | Description |
|----------|---------------|-------------|
|----------|---------------|-------------|

|                                       |       |               |
|---------------------------------------|-------|---------------|
| Y424LS - Chain Kit for Y410LS Cutters |       |               |
| 1                                     | F0878 | Carton        |
| 1                                     | F0877 | Plates & Rods |

|                                       |       |               |
|---------------------------------------|-------|---------------|
| Y524LS - Chain Kit for Y510LS Cutters |       |               |
| 1                                     | F0876 | Carton        |
| 1                                     | F0875 | Plates & Rods |



## Farm King Limited Warranty

This document limits your warranty rights.

### **Base Limited Warranty**

Buhler Industries Inc. provides this warranty only to original retail purchasers of its product. Buhler Industries Inc. warrants to such purchasers that all Buhler Industries Inc. manufactured parts and components used and serviced as provided for in the Operator's Manual shall be free from defects in materials and workmanship for a period following delivery to the original retail purchaser of 12 months (80 days for commercial applications). This limited warranty applies only to those parts and components manufactured by Buhler Industries Inc. Parts and components manufactured by others are subject to their manufacturer's warranties, if any.

Buhler Industries Inc. will fulfill this limited warranty by, at its option, repairing or replacing any covered part that is defective or is the result of improper workmanship, provided that the part is returned to Buhler Industries Inc. within thirty (30) days of the date that such defect or improper workmanship is, or should have been, discovered. Buhler Industries Inc. reserves the right to either inspect the product at the buyer's location or have it returned to the factory for inspection. Parts must be returned through the selling representative and the buyer must prepay transportation charges.

Buhler Industries Inc. will not be responsible for repairs or replacements that are necessitated, in whole or part, by the use of parts not manufactured by or obtained from Buhler Industries Inc. Under no circumstances are component parts warranted against normal wear and tear. There is no warranty on product pump seals, product pump bearings, rubber product hoses, pressure gauges, or other components that require replacement as part of normal maintenance. Also: Buckets and Bucket Tines carry no warranty, Bent Spears carry no warranty, Snowblower Fan Shafts carry no warranty, Mower Blades carry no warranty, Portable Auger Parts Have Two (2) Year Warranty, Loader Parts Have Two (2) Year Warranty. The purchaser is solely responsible for determining suitability of goods sold. This warranty is expressly in lieu of all other warranties expressed or implied. Buhler Industries Inc. will in no event be liable for any incidental or consequential damages whatsoever. Nor for any sum in excess of the price received for the goods for which liability is claimed.

### **Repair Parts Limited Warranty**

Buhler Industries Inc. warrants Farm King replacement parts purchased after the expiration of the Buhler Industries Inc. Limited Warranty, and used and serviced as provided for in the Operator's Manual, to be free from defects in materials or workmanship for a period of thirty (30) days from the invoice date for the parts. Buhler Industries Inc. will fulfill this limited warranty by, at its option, repairing or replacing any covered part that is defective or is the result of improper workmanship, provided that the part is returned to Buhler Industries Inc. within thirty (30) days of the date that such defect or improper workmanship is, or should have been, discovered. Such parts must be shipped to Buhler Industries Inc. at the purchaser's expense.

### **What is Not Covered**

Under no circumstances does this limited warranty cover any components or parts that have been subject to the following: negligence; alteration or modification not approved by Buhler Industries Inc.; misuse; improper storage; lack of reasonable and proper maintenance, service, or repair; normal wear; damage from failure to follow operating instructions; accident; and/or repairs that have been made with parts other than those manufactured, supplied, and or authorized by Buhler Industries Inc.

**Authorized Dealer and Labor Costs**

Repairs eligible for labor under this limited warranty must be made by Buhler Industries Inc. or an authorized Farm King dealer. Buhler Industries Inc. retains the exclusive discretion to determine whether it will pay labor costs for warranty repairs or replacements, and the amount of such costs that it will pay and the time in which the repairs will be made. If Buhler Industries Inc. determines that it will pay labor costs for warranty work, it will do so by issuing a credit to the dealer's or distributor's account. Buhler Industries Inc. will not approve or pay invoices sent for repairs that Buhler Industries Inc. has not previously approved. Warranty service does not extend the original term of this limited warranty.

**Warranty Requirements**

To be covered by warranty, each Farm King new product must be registered with Buhler Industries Inc. within thirty (30) days of delivery to original retail purchaser. If the customer decides to purchase replacement components before the warranty disposition of such components is determined, Buhler Industries Inc. will bill the customer for such components and then credit the replacement invoice for those components later determined to be covered by this limited warranty. Any such replacement components that are determined not be covered by this limited warranty will be subject to the terms of the invoice and shall be paid for by the purchaser.

**Warranty Claims:**

Warranty requests must be prepared on Buhler Industries Inc. Warranty Claim Forms with all requested information properly completed. Warranty Claims must be submitted within a thirty (30) day period from date of failure repair.

**Warranty Labor:**

Any labor subject to warranty must be authorized by Buhler Industries Inc. The labor rate for replacing defective parts, where applicable, will be credited at 100% of the dealer's posted shop rate. Defective parts will receive an extra 10% discount to assist with freight or other incidental costs.

**Exclusive Effect of Warranty and Limitation of Liability**

TO THE EXTENT PERMITTED BY LAW, BUHLER INDUSTRIES INC. DISCLAIMS ANY WARRANTIES, REPRESENTATIONS, OR PROMISES, EXPRESS OR IMPLIED, AS TO THE QUALITY, PERFORMANCE, OR FREEDOM FROM DEFECT OF THE COMPONENTS AND PARTS COVERED BY THIS WARRANTY AND NOT SPECIFICALLY PROVIDED FOR HEREIN.

TO THE EXTENT PERMITTED BY LAW, BUHLER INDUSTRIES INC. DISCLAIMS ANY IMPLIED WARRANTIES OF MERCHANTABILITY AND FITNESS FOR A PARTICULAR PURPOSE ON ITS PRODUCTS COVERED HEREIN, AND DISCLAIMS ANY RELIANCE BY THE PURCHASER ON BUHLER INDUSTRIES INC.'S SKILL OR JUDGMENT TO SELECT OR FURNISH GOODS FOR ANY PARTICULAR PURPOSE. THE PURCHASER'S ONLY AND EXCLUSIVE REMEDIES IN CONNECTION WITH THE BREACH OR PERFORMANCE OF ANY WARRANTY ON PRODUCTS MANUFACTURED BY BUHLER INDUSTRIES INC. ARE THOSE SET FORTH HEREIN. IN NO EVENT SHALL BUHLER INDUSTRIES INC. BE LIABLE FOR INCIDENTAL OR CONSEQUENTIAL DAMAGES (INCLUDING, BY WAY OF EXAMPLE ONLY AND NOT LIMITATION, LOSS OF CROPS, LOSS OF PROFITS OR REVENUE, OTHER COMMERCIAL LOSSES, INCONVENIENCE, OR COST OF REPLACEMENT OF RENTAL EQUIPMENT). IN NO EVENT SHALL FARM KING'S CONTRACT OR WARRANTY LIABILITY EXCEED THE PURCHASE PRICE OF THE PRODUCT.

(Note that some provinces or states do not allow limitations on how long an implied warranty lasts or the exclusion or limitation of incidental or consequential damages, so the above limitations and exclusion may not apply to you.) This warranty gives you specific legal rights and you may also have other rights, which vary from province to province or state to state.

Buhler Industries Inc. neither assumes nor authorizes any person or entity, including its selling representatives, to assume any other obligations or liability in connections with the sale of covered equipment, or to make any other warranties, representations, or promises, express or implied, as to the quality, performance, or freedom from defect of the components and parts covered herein. No one is authorized to alter, modify, or enlarge this limited warranty, or its exclusions, limitations and reservations.

Corrections of defects and improper workmanship in the manner, and for the applicable time periods, provided for herein shall constitute fulfillment of all responsibilities of Buhler Industries Inc. to the purchaser, and Buhler Industries Inc. shall not be liable in negligence, contract, or on any other basis with respect to the subject equipment.

This limited warranty is subject to any existing conditions of supply which may directly affect Buhler Industries Inc.'s ability to obtain materials or manufacture replacement parts.

Buhler Industries Inc. reserves the right to make improvements in design or changes in specifications to its products at anytime, without incurring any obligation to owners of units previously sold.

**Government Legislation:**

Warranty terms and conditions are subject to provincial or state legislation.

**Important Note:** This warranty does not apply to rentals.





[www.farm-king.com](http://www.farm-king.com)

# Farm King

1330 43rd Street NW  
Fargo, ND USA 58102  
Ph.: 701.282.7014 | Fax: 701.282.5865  
Toll Free: 888.524.1004  
E-mail: [info@buhler.com](mailto:info@buhler.com)  
[www.farm-king.com](http://www.farm-king.com)

Equipment shown is subject to change without notice.  
©2010 Buhler Trading Inc. Printed in USA. TSX:BUI

**bühler** | a division of Buhler Industries Inc.